



## **Megatouch Force Software Upgrade**

Visit the AMI Entertainment Network Web site  
<http://www.amientertainment.com>



PM0502-16



## Table of Contents

---

<b>Software Installation .....</b>	<b>p. 1-4</b>
Connecting a DVD Drive .....	p. 1
Software Installation .....	p. 4
Security Key Installation .....	p. 4
<b>Adhering the Side Decals .....</b>	<b>p. 5</b>
<b>Installing a Marquee (Upright Games Only) .....</b>	<b>p. 5</b>
<b>Software Installation Troubleshooting .....</b>	<b>p. 6</b>
<b>Software License Agreements .....</b>	<b>p. 7-12</b>
English .....	p. 7-8
French .....	p. 9-10
German .....	p. 11-12

---

© 2010 AMI Entertainment Network, Inc.

**Force, MegaNet, Megatouch, TournaMAXX and TournaCHAMP** are registered trademarks of AMI.

Reproduction of this manual, in any form or by any means, is strictly forbidden without the written permission of AMI.

## Megatouch Force Software Upgrade

The installation of this software requires a DVD drive and centronics ribbon cable, neither of which are included. If you do not have a centronics ribbon cable, please call AMI Customer Service at 1-800-445-9353 or 215-826-1400 and order part number EC2179-01. It is recommended that you use a DVD drive of at least 8X or better that is capable of operating on an angled surface, as you may not always have a level surface on which to place the drive. **You must configure your DVD drive as the Master Drive.**

### Connecting a DVD Drive

1. Turn off power to the game.
2. Connect the 2 x 20-pin IDE connector (see Figure 1) to the IDE interface connector on the DVD drive. Make sure the red stripe on the ribbon cable matches up with pin 1 on the IDE interface connector (see Figure 2).
3. Connect the four 4-pin power connector on the ribbon cable (see Figure 1) to the DC power input on the DVD drive (see Figure 2).
4. Make sure that your DVD drive is set to MASTER. See Figure 2 for typical Master/Slave drive location.
5. Unlock and open the CPU section door of the game to gain access to the centronics connector.

**EVO and EVO Wallette games:** The centronics connector is located at the back of the game. Remove the cover plate with a 5/64" Allen wrench. See Figure 3.

**Elite Edge:** For coin games, unhinge the CPU section to access connector on the back of the CPU section. For bill-only games, unlock and open the CPU section to access the connector. See Figure 3.

**Vibe:** The centronics connector is located on the outside of the processor (see Figure 4).

**Fusion:** The centronics connector is located above the motherboard assembly (see Figure 5).

**Fusion with electronics box:** The centronics connector is located on the outside of the box (see Figure 6).

**Radion:** The centronics connector is located along the top edge of the inside of the game (see Figure 7).

**Classic:** The centronics connector is located above the motherboard assembly (see Figure 8).

**Elite:** The centronics connector is located on the PC shelf (see Figure 9).

**Combo Jukebox, Upright and Upright with Coin Door:** The centronics connector is located on the PC shelf (see Figures 10 and 11).

6. Connect the centronics connector on the ribbon cable to the centronics connector on the game.

**NOTE: When positioning your DVD drive, it is important that you find a suitable place where the DVD drive will not be in danger of coming in contact with any components or wires inside of the game.**

### Centronics Ribbon Cable and DVD Drive

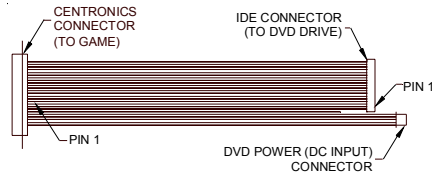


FIGURE 1 – CENTRONICS/DVD INTERFACE RIBBON CABLE

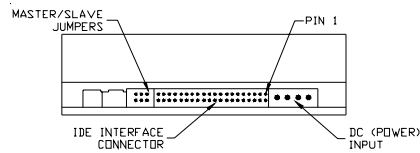


FIGURE 2 – REAR VIEW OF STANDARD DVD DRIVE

### Megatouch Force Countertop and Upright Games

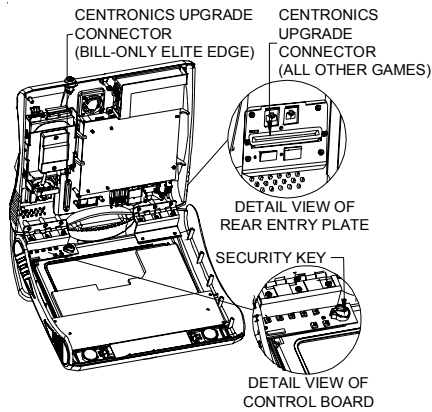


FIGURE 3 - EVO, EVO WALLETTTE, AND ELITE EDGE CENTRONICS UPGRADE CONNECTOR & SECURITY KEY LOCATIONS

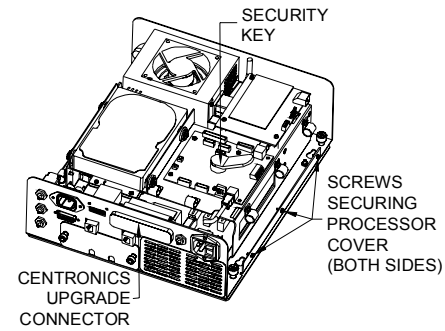


FIGURE 4 - VIBE PROCESSOR CENTRONICS UPGRADE CONNECTOR & SECURITY KEY LOCATIONS

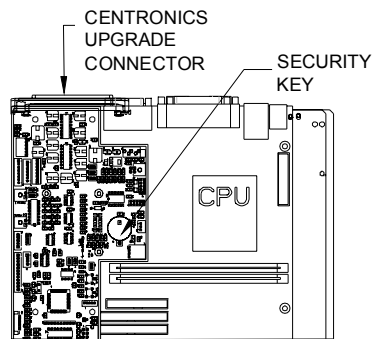


FIGURE 5 - FORCE FUSION CENTRONICS UPGRADE CONNECTOR & SECURITY KEY LOCATIONS

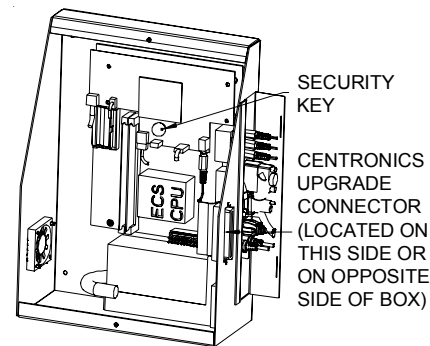


FIGURE 6 - FORCE FUSION WITH ELECTRONICS BOX CENTRONICS UPGRADE CONNECTOR & SECURITY KEY LOCATIONS

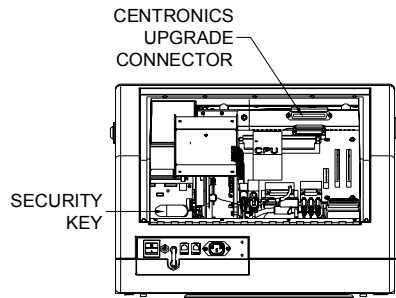


FIGURE 7 - FORCE RADION CENTRONICS UPGRADE CONNECTOR & SECURITY KEY LOCATIONS

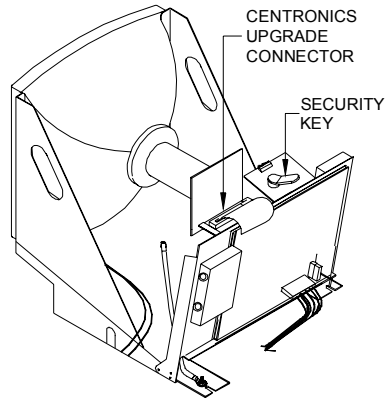


FIGURE 8 - FORCE CLASSIC CENTRONICS UPGRADE CONNECTOR & SECURITY KEY LOCATIONS

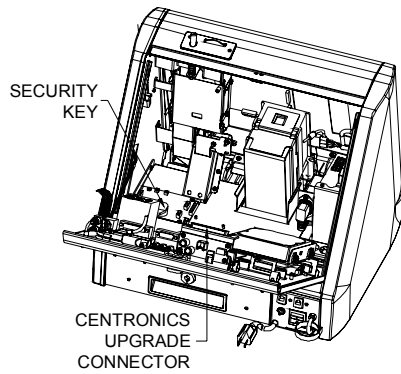


FIGURE 9 - FORCE ELITE CENTRONICS UPGRADE CONNECTOR & SECURITY KEY LOCATIONS

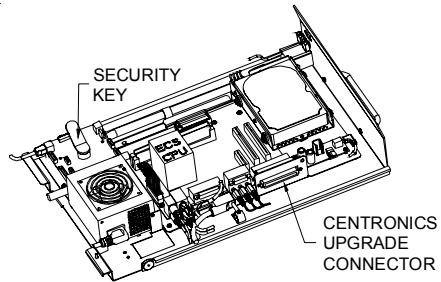


FIGURE 10 - FORCE UPRIGHT CENTRONICS UPGRADE CONNECTOR & SECURITY KEY LOCATIONS

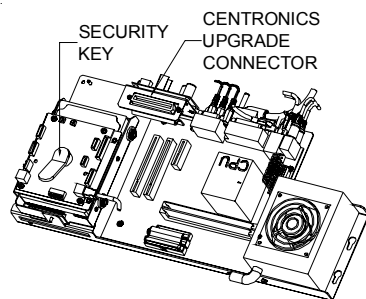


FIGURE 11 - COMBO JUKEBOX AND FORCE UPRIGHT WITH COIN DOOR CENTRONICS UPGRADE CONNECTOR & SECURITY KEY LOCATIONS

## Software Installation

*Performing this upgrade will delete previous information and files on your hard drive. If you want to retain any pertinent information (ex: Books Screen information), you will need to document that information before performing the upgrade.*

*The update process could take from 10 to 15 minutes, depending on the speed of your DVD drive.*

7. If you are connected to TournaMAXX or TournaCHAMP, you must perform an **Update From Server** before beginning this installation so that no information is deleted.
8. Turn on the game and insert the disc into the DVD drive. If you don't get the disc into the drive before the game starts to boot-up, turn off the game and turn it back on.
9. The message "**By continuing with this installation program, you indicate that you accept the terms of Megatouch's Software License Agreement**" will appear on the screen. The software license agreement is found in the back of this manual. If you accept the terms, select **I accept**.  
**NOTE: If you do not agree to the terms of the agreement, reboot the game in order to remove the disc, then turn the game off and disconnect the DVD drive. The game will continue running the current software version.**
10. When the installation is complete, the screen will display the message "**Installation Complete! Please remove the disc and Reboot.**"
11. Remove the disc and turn off power to the game.
12. Carefully disconnect the ribbon cable from the centronics connector on the game. Be sure to grasp the connector and not the cable itself.

## Security Key Installation

13. Locate the security key (the button-shaped disc with the handle) on the I/O board or OSD board.  
*EVO, Elite Edge & EVO Wallette:* See Figure 3.  
*FORCE Vibe:* See Figure 4.  
*FORCE Fusion:* See Figure 5 or 6.  
*FORCE Radion:* See Figure 7.  
*FORCE Classic:* See Figure 8.  
*FORCE Elite:* See Figure 9.  
*FORCE Upright:* See Figure 10.  
*Combo Jukebox & FORCE Upright with Coin Door:* See Figure 11.
14. Remove the existing security key from the board and replace it with the supplied security key.
15. Close and lock the CPU section door of the game and restore power to the game. The game will reboot twice to configure the hardware. When prompted, perform a touchscreen calibration.
16. If you are connected to TournaMAXX or TournaCHAMP, you must re-enter the dial-in settings after completing the upgrade. After entering the settings, make the initial call into the server and then perform two **Updates From Server**. Refer to the MegaNet® manual for information on performing these steps.

### Adhering the Side Decals

17. Turn off and unplug the game.
18. Remove the existing decals (remove any remaining adhesive residue with an adhesive remover).

**NOTE: Make sure not to get any adhesive removing solvents or solutions on the touchscreen, as they may damage the screen.**

19. When you are finished removing any excess adhesive from the game, wipe the surfaces with alcohol solvent. The surfaces must be clean and free from dirt for the new decals to adhere properly.
20. Partially peel the backing from the top edge of one of the provided decals. Center the decal on the side of the game and apply the decal. Repeat the same step for the other side of the game.
21. Plug in and turn on the game.

### Installing a Marquee (Upright Games Only)

22. If an upright marquee was included in your kit, follow the instructions in your owner's manual to replace the marquee. If you have an upright with coin door, the marquee must be cut to fit. Cut the marquee in a straight line from one yellow arrow to the matching yellow arrow at the other end of the marquee. Make sure you alternate between cutting the long side and short side of the marquee so that none of the triangles you need to use for guides are removed.



## Software Installation Troubleshooting Guide

PROBLEM	CORRECTIVE ACTION
<ul style="list-style-type: none"> <li>The game boots from the hard drive, not the disc drive</li> </ul>	<ul style="list-style-type: none"> <li>The jumper setting on the back of the DVD drive must be set to MASTER (MA).</li> <li>The DVD drive may be defective. Try a different DVD drive.</li> <li>Make sure that the centronics cable is connected correctly and that it is completely pushed down in place.</li> <li>Try another centronics cable.</li> <li>Try using an IDE ribbon cable connected between the DVD drive and the motherboard. Unplug the power to the fans to power the disc drive. The IDE ribbon cable going to the motherboard will go to the secondary IDE connector.</li> </ul>
<ul style="list-style-type: none"> <li>Game will not download the disc</li> </ul>	<ul style="list-style-type: none"> <li>Make sure the disc is installed correctly. The logo should be facing up and the disc should be seated properly in the tray.</li> <li>Check the disc for scratches or defects. Try a different disc or a different drive.</li> <li>If the DVD drive is not being detected by the motherboard, see <b>DVD not recognized</b> below.</li> </ul>
<ul style="list-style-type: none"> <li>DVD DRIVE NOT RECOGNIZED</li> </ul>	<ul style="list-style-type: none"> <li>An error in the CMOS configuration can create a problem where the motherboard does not see the DVD drive.</li> <li>To reconfigure the CMOS, turn off the game, set DIP switch 8 to the closed position and reboot the game. The message, "<b>Merit Boot Diagnostics Resetting motherboard CMOS settings to defaults.</b>" will appear. Follow the directions on the screen.</li> </ul>
<ul style="list-style-type: none"> <li>Game reboots after inserting the disc and turning on power.</li> </ul>	<ul style="list-style-type: none"> <li>If you insert the disc and power up and then the game reboots, there may be a problem with the DVD drive. Make sure a newer DVD drive is being used. Older DVD drives may have a problem reading the discs correctly.</li> </ul>
<ul style="list-style-type: none"> <li>The game prompts you to install the disc that is already in the DVD drive.</li> </ul>	<ul style="list-style-type: none"> <li>If the disc partially loads and asks for the disc to be installed, this would indicate that the disc is defective. Try a different disc.</li> </ul>
<ul style="list-style-type: none"> <li>Hard drive error when installing software</li> </ul>	<ul style="list-style-type: none"> <li>If the disc partially loads and detects a hard drive error, the hard drive is defective. To ensure that the hard drive is defective, first try a different disc and a different DVD drive. If the reloading attempts failed again, the hard drive is defective.</li> </ul>
<ul style="list-style-type: none"> <li>"INVALID KEY" message while attempting to load software on the hard drive</li> </ul>	<ul style="list-style-type: none"> <li>If the security key was replaced before the download, the motherboard did not boot from the DVD drive.</li> <li>Check that the DVD drive is set as master.</li> <li>Check the ribbon cable connections between the DVD drive and the motherboard.</li> <li>Try another DVD drive or another disc.</li> </ul>

## **AMI Entertainment Network, Inc. Software License Agreement**

AMI Entertainment Network, Inc. ("Licensor") is willing to license the enclosed software to you only if you accept all of the terms in this license agreement ("Agreement").

### **Ownership of the Software**

1. The enclosed Megatouch® product, which may include but is not limited to the Megatouch software program ("Software") and the accompanying written materials, are owned by Licensor and are protected by United States copyright laws, patent laws and other intellectual property laws, by laws of other nations, and by international treaties.

### **Restrictions on Use and Transfer**

2. If this Software package contains multiple media types (such as CDs, flash cards, hard drives, etc), then you may use only the type of media appropriate for your Machine. You may not use the other media types on another Machine, or transfer, or assign them to another user except as part of the permanent transfer of the Software and all written materials (as provided for below in paragraph 4).
3. You may make one copy of the software for backup purposes only. You may not copy or make backup copies of any software security key or software security device under any circumstances.
4. You may permanently transfer the right to use the Software and accompanying written materials (including the most recent update and all prior versions) if you retain no copies and the transferee agrees in writing to be bound by the terms of this Agreement. Such a transfer of this license to another party immediately terminates your license. You may not otherwise transfer or assign the right to use the Software, except as stated in this paragraph.
5. You may not operate or allow the operation of the Software at locations where the operation of such Software does not comply with all local, state, and other governmental body laws and regulations. You agree to not use or permit the use of the Software in violation of any U.S. Federal, state, or local laws or regulations or any foreign law or regulation, including laws regarding gaming, gambling or intellectual property rights in or concerning the Software.
6. You may not modify, adapt, translate, reverse engineer, decompile, disassemble the Software or create derivative works from the Software or any component thereof; nor may you remove, modify or hide or otherwise make unreadable or non-viewable any notice, legend, advice, watermark or other designation contained on the Software, component thereof, or output therefrom.
7. You agree that the Software and the authorship, systems, ideas, inventions methods of operation, documentation and other information contained therein, and all versions, modifications and adaptations thereto are proprietary intellectual properties of Licensor and are protected by civil and criminal law, and by copyright, trade secret, trademark and the patent laws of the United States and other countries.

### **Limited Warranty**

8. Licensor warrants, solely for your benefit, that the Software will function in material conformity, with its accompanying documentation for a period outlined in Licensor's standard product warranty period after your receipt of the Software.

### **Licensor's Obligations Under Warranty**

9. Licensor's sole obligation under the aforesaid warranty shall be to utilize commercially reasonable efforts to correct or modify such portion of the Software as to make it materially conform with the applicable documentation.

#### Grant Of License

10. Licensor grants to you a limited, non-exclusive license to distribute and/or use one copy of the Software on a single Megatouch ("Machine") accompanied by a single licensor factory authorized security key. Licensor reserves the right to update versions of the software and the content to the Machine as deemed appropriate by the Licensor. You are entrusted to maintain and protect your single licensor factory authorized security key, password, or other identification from being utilized by any third party, and you agree to be responsible for any use of the Software provided herein by a third party utilizing your identification. Licensor maintains the right to immediately terminate your License for reasons related to misuse or other non-conformity with the rules expressed herein. While Licensor does not routinely inspect Machines, Licensor also reserves the right to inspect or audit the Software from time to time in Licensor's sole discretion. To the extent that Licensor's access to the Software requires that Licensor also gain access to a Machine in which the Software is installed, you agree to promptly provide Licensor, when requested, with permission and aid in Licensor gaining access to the Machine.

#### Disclaimers

11. EXCEPT AS PROVIDED IN THE SECTION ENTITLED "LIMITED WARRANTY", LICENSOR MAKES NO OTHER PROMISES, REPRESENTATIONS OR WARRANTIES, WHETHER EXPRESSED OR IMPLIED, REGARDING OR RELATING TO THE SOFTWARE OR CONTENT THEREIN OR TO ANY OTHER MATERIAL FURNISHED OR PROVIDED TO YOU PURSUANT TO THIS AGREEMENT OR OTHERWISE AND LICENSOR SPECIFICALLY DISCLAIMS ALL IMPLIED WARRANTIES OF MERCHANTABILITY AND FITNESS FOR A PARTICULAR PURPOSE WITH RESPECT TO SAID MATERIALS OR THE USE THEREOF. TO THE MAXIMUM EXTENT ALLOWABLE BY LAW THE UNIFORM COMMERCIAL CODE OR OTHER UNIFORM LAWS SHALL NOT APPLY TO THIS AGREEMENT.

#### Limitation on Liability

12. IN NO EVENT SHALL LICENSOR BE LIABLE UNDER ANY CLAIM, DEMAND OR ACTION ARISING OUT OF OR RELATING TO THE SOFTWARE, ITS USE, INSTALLATION OR LICENSOR'S PERFORMANCE OR LACK THEREOF UNDER THIS AGREEMENT FOR ANY SPECIAL, INDIRECT, INCIDENTAL, EXEMPLARY OR CONSEQUENTIAL DAMAGES, WHETHER OR NOT LICENSOR HAS BEEN ADVISED OF THE POSSIBILITY OF SUCH CLAIM, DEMAND OR ACTION. IN ADDITION, WITHOUT LIMITING THE FOREGOING, IN ALL EVENTS THE REMEDIES AVAILABLE TO YOU SHALL BE LIMITED TO THE AMOUNT PAID BY YOU TO LICENSOR FOR THE SOFTWARE.
13. IN NO EVENT WILL LICENSOR BE LIABLE TO YOU FOR DAMAGES, INCLUDING ANY LOSS OF PROFITS, LOST SAVINGS, OR OTHER INCIDENTAL OR CONSEQUENTIAL DAMAGES ARISING OUT OF YOUR USE, MISUSE, BREACH OF THIS AGREEMENT OR INABILITY TO USE THE SOFTWARE.

#### General

14. The validity and construction of this Agreement and of the rights and obligations herein shall be determined and governed by the laws of the State of New York. By accepting the terms of this Agreement, you acknowledge and accept that the courts of New York, New York shall have exclusive jurisdiction and venue regarding any disputes arising with regard to this Agreement or arising out of activity or misuse of the Software.
15. AMI Entertainment Network, Inc. in its sole discretion, may assign this agreement or any of its rights and obligations hereunder.
16. If you have any questions concerning this Agreement or wish to contact Licensor for any reason, please write: AMI Entertainment Network, Inc., 155 Rittenhouse Circle, Bristol, PA 19007, USA.

## **Contrat de licence de logiciel de AMI Entertainment Network, Inc.**

AMI Entertainment Network, Inc. (ci-après le "Concédant") est disposé à vous accorder la licence d'utilisation du logiciel ci-inclus, à condition que vous vous engagiez à respecter tous les termes, clauses et conditions du présent contrat de licence (Contrat).

### **Droit de Propriété**

1. Le produit Megatouch® ci-joint contenant, mais ne s'y limitant pas, le logiciel Megatouch (ci-après le "logiciel") et toute la documentation écrite, restent la propriété du Concédant et sont protégés par : les lois de droits d'auteur des Etats-Unis, les lois s'appliquant aux brevets déposés et à la propriété intellectuelle, ainsi que par celles des autres pays et les traités internationaux.

### **Restriction d'Utilisation et Transfert**

2. Si le présent logiciel comprend plusieurs types de composants (tels que CD-ROM, cartes flash, disques durs, etc), vous ne pouvez utiliser que ceux qui conviennent à votre appareil. Il est strictement interdit de les utiliser sur un autre appareil, les transférer -ou les céder à un autre utilisateur, sauf en cas de transfert permanent du logiciel et de toute la documentation écrite (comme indiqué ci-dessous au paragraphe 4).
3. Il est interdit de copier le logiciel, à l'exception d'une copie de sauvegarde. Il est aussi interdit de reproduire -ou faire des copies de sauvegarde des programmes de clé de sécurité ou autres fichiers de sécurité, quelles que soient les circonstances.
4. Vous pouvez céder en permanence à un tiers -le droit d'utiliser le LOGICIEL et toute la documentation écrite l'accompagnant, (ainsi que la plus récente mise à jour et toutes autres anciennes versions) seulement si vous n'en gardez aucune copie, et si le cessionnaire s'engage, par écrit, à respecter les termes, clauses et conditions du présent Contrat. Cette cession à un tiers met fin à votre licence immédiatement. Autrement, vous n'avez pas la permission de transférer ou d'accorder à un tiers le droit d'utiliser le présent logiciel, excepté que tel que décrit dans le présent paragraphe.
5. Il est interdit d'utiliser le présent logiciel ou de permettre son utilisation dans des emplacements où l'utilisation du présent logiciel n'est pas conforme aux lois et réglementations locales, nationales ou réglementations d'autres organismes gouvernementaux. Vous acceptez de ne pas utiliser ou d'autoriser l'utilisation du logiciel d'une manière enfreignant les lois ou réglementations s'appliquant à la propriété intellectuelle et au jeu, en vigueur aux Etats-Unis ou dans les autres pays du monde, y compris les lois de l'ensemble du logiciel.
6. Il est interdit de modifier, adapter, traduire, démonter, décompiler, désassembler le logiciel ou créer du matériel dérivé du logiciel ou de tout composant de celui-ci ; vous ne pouvez pas enlever, modifier ou cacher ou rendre illisible ou non-visible toute instruction, légende, information ou filigrane ou autre désignation qui apparaît dans le logiciel, composant dudit logiciel ou résultant dudit logiciel.
7. Vous convenez que le logiciel et les droits d'auteur, les systèmes, les idées, les inventions, les méthodes d'utilisation, la documentation et autre information incluse, ainsi que toutes les versions, modifications et adaptations qui s'y rattachent sont les propriétés intellectuelles du Concédant et sont protégées par le droit civil et pénal et par le droit d'auteur, le secret commercial, la marque déposée et le brevet aux Etats-Unis et dans les autres pays du monde.

### **Limite de Garantie**

8. Le Concédant garantit seulement à votre intention, que le logiciel permettra une utilisation conforme, avec la documentation l'accompagnant, pendant la période de temps indiquée dans la période de garantie du produit standard du Concédant, à compter de la date de livraison du logiciel.

### **Responsabilité du Concédant aux termes de la Garantie**

9. La seule obligation du Concédant aux termes de la garantie susmentionnée sera de faire tous les efforts commercialement raisonnables pour corriger ou modifier la partie du logiciel pour le rendre matériellement conforme aux spécifications de la documentation.

Concession de Licence

10. Le Concédant vous accorde le droit d'utiliser une seule copie par appareil Megatouch (ci-après "Appareil") accompagné d'une seule clé de sécurité autorisée en usine et fournie par le Concédant. Le Concédant se réserve le droit de mise à jour des versions du logiciel et du contenu de l'Appareil, quand il juge nécessaire de le faire. Il vous appartient également d'empêcher que les mots de passe ou autres codes et la clé de sécurité soient utilisés par un tiers. Vous acceptez d'assumer la responsabilité dans le cas de l'utilisation du logiciel par un tiers. Le Concédant se réserve le droit de résilier votre contrat de licence à tout moment dans l'éventualité d'une utilisation non-conforme aux clauses stipulées. Bien que le Concédant ne contrôle pas les appareils périodiquement, il se réserve toutefois le droit de contrôler le logiciel à tout moment et sans préavis de sa part. De surcroît, dans l'éventualité où le logiciel n'est accessible qu'à travers la machine dans laquelle il est installé, le licencié s'engage à donner libre accès au Concédant, ou ses représentants, à la machine et dans les plus brefs délais.

Exclusion de toute autre garantie

11. EXCEPTÉ COMME PRÉVU DANS LA SECTION INTITULÉE "LIMITE DE GARANTIE", LE CONCEDANT N'ASSURE AUCUNE AUTRE GARANTIE DE QUELQUE NATURE ET A QUELQUE TITRE QUE CE SOIT, EXPLICITE OU IMPLICITE, EN RAPPORT AVEC LE LOGICIEL ET LES COMPOSANTS QUI L'ACCOMPAGNENT OU, LE CAS ÉCHÉANT, TOUT SUPPORT OU MATÉRIEL FOURNI CONFORMÉMENT AU PRÉSENT CONTRAT EN PARTICULIER, LE CONCEDANT NE PEUT DONNER AUCUNE GARANTIE, DE QUELQUE NATURE QUE CE SOIT, POUR LA COMMERCIALISATION DE TOUS LES PRODUITS EN RAPPORT AVEC LE LOGICIEL OU AVEC L'UTILISATION DE CELUI-CI. DANS LA MESURE OU CELA EST PERMIS PAR LA LOI, LE CODE UNIFORME COMMERCIAL OU AUTRE LOI UNIFORME NE S'APPLIQUE PAS AU PRÉSENT CONTRAT.

Limite de Responsabilité

12. LE CONCEDANT NE SERA EN AUCUN CAS RESPONSABLE DE TOUTE RECLAMATION, DEMANDE OU ACTION RESULTANT DE OU EN RAPPORT AVEC LE LOGICIEL, SON UTILISATION OU SON INSTALLATION, OU LA PERFORMANCE OU MANQUE DE PERFORMANCE DU CONCEDANT EN VERTU DU PRÉSENT CONTRAT POUR TOUS DOMMAGES D'UNE NATURE QUI N'EST PAS PRÉSUMÉE PAR LA LOI ET QUI DOIVENT ÊTRE EXPRESSEMENT Prouvés, DOMMAGE INDIRECTS, DOMMAGES-INTERETS POUR PRÉJUDICE MORAL, QUE LE CONCEDANT AIT ÉTÉ AVISÉ OU NON DE LA POSSIBILITÉ D'UNE TELLE RECLAMATION, DEMANDE OU ACTION. DE PLUS, SANS LIMITER CE QUI PRÉCÈDE, LES DÉDOMMAGEMENTS À VOTRE DISPOSITION SERONT LIMITÉS AU MONTANT QUE VOUS AUREZ PAYÉ AU CONCEDANT POUR LE LOGICIEL.
13. LE CONCEDANT NE SERA EN AUCUN CAS RESPONSABLE : D'UNE RUPTURE DE CONTRAT, DES DOMMAGES, Y COMPRIS TOUTE PERTE DE PROFIT, PERTES D'ÉCONOMIE OU TOUS AUTRES DOMMAGES INDIRECTS OU DOMMAGES-INTERETS ACCESSOIRES DECOULANT DE LA MAUVAISE UTILISATION OU DE L'IMPOSSIBILITÉ D'UTILISATION DU LOGICIEL.

Dispositions Générales

14. La validité et la construction du présent Contrat et les droits et obligations ci-inclus seront déterminés et régis par les lois de l'état de New York aux États-Unis. En acceptant les dispositions du présent contrat, vous acceptez également que tous litiges ou revendications relatives seront réglés par voie d'arbitrage par un tribunal de l'état de New York, aux États-Unis.
15. AMI Entertainment Network, Inc. se réserve le droit de transférer le présent Contrat à un tiers ainsi que ses droits et obligations ci-après.
16. Pour toutes questions concernant le présent Contrat -ou si vous désirez contacter le Concédant pour une raison quelconque, veuillez écrire à : AMI Entertainment Network, Inc., 155 Rittenhouse Circle, Bristol, PA 19007, États-Unis.

## **AMI Entertainment Network, Inc. Softwarelizenzabkommen**

AMI Entertainment Network, Inc. („Lizenzgeber“) ist nur dann bereit Ihnen eine Lizenz für die beiliegende Software zu erteilen, wenn Sie alle Bestimmungen dieses Lizenzabkommens („Abkommen“) akzeptieren.

### **Eigentumsvorbehalt der Software**

1. Das beiliegende Megatouch®-Produkt, welches das Megatouch Softwareprogramm („Software“) beinhalten kann, aber nicht darauf beschränkt ist, und die schriftlichen Unterlagen sind Eigentum des Lizenzgebers und sind durch die Gesetze der Vereinigten Staaten und anderer Länder und durch internationale Verträge urheberrechtlich geschützt.

### **Beschränkungen im Gebrauch und Transfer**

2. Sollte diese Softwarelieferung mehrere Medien enthalten (z.B. CD, Karten, Festplatten usw.), dürfen Sie nur die für Ihre Maschine angebrachte Medienart verwenden. Die anderen Medienarten dürfen nicht auf anderen Maschinen verwendet werden oder an Dritte übergeben werden, abgesehen von einem endgültigen Transfer der Software und aller schriftlichen Unterlagen (wie im untenstehenden Paragraphen 4 beschrieben).
3. Sie dürfen nur eine Sicherungskopie der Software herstellen. Unter keinen Umständen dürfen Sie einen Softwaresicherungsschlüssel oder Sicherungsmaßnahmen kopieren oder davon Sicherungskopien herstellen.
4. Sie dürfen das Nutzungsrecht für die Software und die schriftlichen Unterlagen (einschließlich der aktuellen Version und aller vorhergehenden Versionen) an Dritte übertragen, wenn Sie keine Kopie behalten und wenn der Empfänger die Bestimmungen dieses Abkommens in schriftlicher Form akzeptiert. Bei einem solchen Transfer der Lizenz an Dritte erlischt Ihre Lizenz umgehend. Abgesehen von den Bestimmungen dieses Paragraphen sind alle anderen Transfers oder Übertragungen der Nutzungsrechte für diese Software unerlaubt.
5. Sie dürfen die Software nicht benutzen oder eine Nutzung gestatten, wenn eine solche Nutzung der Software irgendwelche Gesetze und Verordnungen der kommunalen oder staatlichen Behörden verletzen würde. Sie verpflichten sich die Software nicht so zu nutzen oder nutzen zu lassen, dass sie damit gegen staatliche, Bundes- oder Lokalgesetze oder Bestimmungen der USA oder gegen ausländische Gesetze oder Bestimmungen, einschliesslich aller Gesetze bezüglich Glücksspiels, Spielens oder geistigen Eigentumsrechts der Software, verstossen.
6. Es ist Ihnen nicht gestattet, die Software abzuändern, zu verändern, zu übersetzen, rückumzuwandeln, zu dekompileieren oder zu zerlegen, oder aus der Software oder eines Teils davon andere Werke abzuleiten. Sie dürfen auch aus der Software, einem Bestandteil der Software oder aus den Datenausgaben der Software keine Hinweise, Bemerkungen, Ratschläge, Wasserzeichen oder andere Markierungen entfernen, verändern, verbergen oder auf andere Art unlesbar machen.
7. Sie akzeptieren, dass die Software und die Urheberschaft, die Systeme, die Ideen, Erfindungen, die Arbeitsweisen, die Dokumentation und alle anderen darin enthaltenen Informationen und alle Versionen, Veränderungen, und Bearbeitungen davon das geistige Eigentum des Lizenzgebers sind, und dass sie durch Straf- und Zivilgesetzgebung und durch die Copyright-, Geschäftsgeheimnis-, Warenzeichen- und die Patentgesetze der Vereinigten Staaten und anderer Länder geschützt sind.

### **Beschränkte Garantie**

8. Der Lizenzgeber garantiert zu Ihren Gunsten, dass die Software für die angegebene normale Garanzzeit des Lizenzgebers nach Ihrer Annahme der Software in erheblicher Übereinstimmung mit der beiliegenden Dokumentation laufen wird.

### **Verpflichtung des Lizenzgebers im Rahmen der Garantie**

9. Die ausschließliche Pflicht des Lizenzgebers im Rahmen der vorstehenden Garantie besteht darin, alle geschäftlich vertretbaren Schritte zu unternehmen, um Teile der Software zu berichtigen oder abzuändern, bis sie mit der beiliegenden Dokumentation erheblich übereinstimmen.

#### Übertragung der Lizenz

10. Der Lizenzgeber gewährt Ihnen eine beschränkte, nicht-ausschliessbare Lizenz zur Verbreitung und/oder Benutzung einer Kopie der Software auf einem einzelnen Megatouch („Gerät“) mit einem einzelnen werksmäßig gestatteten Sicherheitsschlüssel. Der Lizenzgeber behält sich das Recht vor, nach eigenem Ermessen die Software und den Inhalt der Maschine zu verbessern. Sie sind dafür verantwortlich ihren individuellen, vom Lizenzgeber werksmäßig gestatteten Sicherheitsschlüssel, ihr Passwort oder anderweitigen Identifikationsmechanismus instandzuhalten und abzusichern gegen die Nutzung durch eine dritte Partei, und sie akzeptieren die Verantwortung für jegliche Nutzung der besagten Software durch eine dritte Partei mithilfe ihres Identifikationsmechanismus. Obwohl der Lizenzgeber nicht regelmässig Maschinen inspiziert, behält sich der Lizenzgeber das Recht vor, ihre Lizenz umgehend zu kündigen aus Gründen des Missbrauchs oder bei Nichtbefolgung der Bestimmungen in diesem Vertrag. Der Lizenzgeber behält sich ebenfalls das Recht vor, die Software von Zeit zu Zeit nach eigenem Ermessen zu inspizieren oder zu überprüfen. Im Falle, dass der Lizenzgeber Zugang zu dem Gerät wünscht, in dem besagte Software installiert ist, erklären Sie sich bereit, dass sie dem Lizenzgeber, wenn nötig, Erlaubnis und Hilfe beim Zugang zum Gerät verschaffen.

#### Beschränkungen

11. ABGESEHEN VON DEN BESTIMMUNGEN DES PARAGRAPHEN „BESCHRÄNKTE GARANTIE“ GIBT DER LIZENZGEBER KEINE SONSTIGEN VERSPRECHEN, VERPFLICHTUNGEN ODER GARANTIEEN, OB AUSDRÜCKLICH ODER STILLSCHWEIGEND, FÜR DIE SOFTWARE ODER IHRE BESTANDTEILE ODER FÜR ALLE ANDEREN MATERIALIEN, DIE IHNEN IM RAHMEN DIESES ABKOMMENS ZUR VERFÜGUNG GESTELLT ODER ÜBERLASSEN WERDEN, UND DER LIZENZGEBER LEHNT AUSDRÜCKLICH ALLE ANSPRÜCHE AUF MARKTFÄHIGKEIT UND EIGNUNG DER BESAGTEN MATERIALIEN FÜR DEN GEWÖHNLICHEN GEBRAUCH AB. SOWEIT GESETZESMÄSSIG ZUGELASSEN, SOLLEN DIE HANDELSRECHTLICHE GESETZGEBUNG AUS DEM UNIFORM COMMERCIAL CODE ODER ANDERE GESETZE AUF DIESES ABKOMMEN NICHT ANWENDBAR SEIN.

#### Haftungsbeschränkung

12. DER LIZENZGEBER HAT KEINERLEI HAFTUNG BEI EINEM ANSPRUCH, EINER FORDERUNG ODER EINER KLAGE, DIE AUF NUTZUNG DER SOFTWARE, DEREN INSTALLIERUNG, DER LEISTUNG DES LIZENZGEBERS ODER DESSEN VERSAGEN IM RAHMEN DIESES ABKOMMENS FÜR JEGLICHE FOLGE-, INDIREKTE, SONDER- ODER NEBENSCHÄDEN BERUHEN, SELBST WENN DER LIZENZGEBER AUF DIE MÖGLICHKEIT EINES SOLCHEN ANSPRUCHES, EINER FORDERUNG ODER EINER KLAGE HINGEWIESEN WURDE. WEITERHIN UND OHNE BESCHRÄNKUNG DES LETZTEN SATZES, DÜRFEN IN ALLEN FÄLLEN DIE IHNEN ZUR VERFÜGUNG STEHENDEN ABHILFEN DIE VON IHNEN FÜR DIE SOFTWARE AN DEN LIZENZGEBER GEZAHLTE SUMME NICHT ÜBERSCHREITEN.
13. DER LIZENZGEBER HAT IN KEINEM FALL EINE HAFTUNG IHNEN GEGENÜBER FÜR SCHÄDEN, EINSCHLIESSLICH ETWAIGER GEWINNVERLUSTE, NICHT REALISIERTER EINSPARUNGEN ODER ANDERER NEBEN- ODER FOLGESCHÄDEN, DIE AUS IHRER VERWENDUNG, MISSBRAUCH, VERLETZUNG DIESES ABKOMMENS ODER GEBRAUCHSUNFÄHIGKEIT DER SOFTWARE ENTSTEHEN.

#### Allgemein

14. Die Rechtsgültigkeit und Provisionen dieses Abkommens und der darin enthaltenen Rechte und Pflichten werden durch die Gesetze des Staates von New York bestimmt. Sollten sie diese Vereinbarungen annehmen, dann akzeptieren Sie, dass der ausschliessliche Erfüllungsort und Gerichtsstand bei den Gerichten von New York im Staat New York liegen hinsichtlich aller Streitigkeiten, die diesen Vertrag betreffen, oder die durch Leistung oder Missbrauch der besagten Software entstehen.
15. AMI Entertainment Network, Inc. kann nach eigenem Ermessen dieses Abkommen oder jedes der darin enthaltenen Rechte und Pflichten an Dritte abtreten.
16. Bei Rückfragen über dieses Abkommen oder wenn Sie den Lizenzgeber aus einem anderen Grund kontaktieren wollen, bitte schreiben an: AMI Entertainment Network, Inc., 155 Rittenhouse Circle, Bristol, PA 19007, USA.











Please read the enclosed license agreement. Operation of this game constitutes acceptance of the AMI Software License Agreement.

Veillez lire le contrat de licence d'utilisation ci-inclus. Si vous utilisez ce jeu, vous vous engagez à respecter les termes et conditions du contrat de licence d'utilisation du logiciel de AMI.

Bitte beiliegendes Lizenzabkommen durchlesen. Das AMI Software Lizenzabkommen tritt in Kraft, sobald dieses Spiel verwendet wird.